



Sanaye Chodan Isfahan Co.
Manufacturer of Truck Parts



FIFTH WHEEL

📍 No.7,Niroo St.,P.O.Box:
85135-313 After Police
station, Industrial Zone
Najaf Abad, Isfahan-IRAN
✉ 85169-53161

☎ (+98) 31 424 99 999
☎ (+98) 31 424 99 558
🌐 www.scitruck.com
✉ info@scitruck.com

www.scitruck.com



About SCI

Sanaye Chodan Isfahan Co. LTD - (SCI), is one of the premier companies in the Foundry industry of Iran, founded in 1982. Currently, the company operates in a 150,000 SQM, composed of foundries, machining shops, painting and packaging shops. With over 40 years of experience as well as skillful and experienced staff, with an annual production capacity of over 20000 tons for automotive industries (OEM) and aftermarket.

- Founded year: 1982
- Location: Esfahan, IRAN
- Number of Employee: 400
- Fields of activity: Casting, machining and assembling of truck and trailer parts
- Main products: Fifth wheels, trailer axles, cast iron chassis parts, wheel, brake and suspension systems for trucks and trailers

Internationally Tested and Approved Iranian Made 5th Wheel Component

SCI is the proudly manufacturing all the 5th wheel components with the highest quality materials all type tested and approved by internationally recognized test labs. SCI has proven its capacity to manufacture products at OEM level by receiving the "ISIRI" certification.

The project commenced at SCI R&D center in 2001. The final product prototypes were tested within the regulations at approved laboratories, an international testing institution in United Kingdom. Following the fruitful outcome, SCI is qualified for the E-mark Certificate.

Fifth Wheel

A Fifth wheel provides the link between the semi-trailer and the towing truck and also enables regulations regardless of the vehicle. It is not a spare part, it is a component that a manufacturer places and secures on top of a new vehicle. It establishes safety. Please note that manufacturing and selling a Fifth wheel without Type Approval is prohibited in many countries.



IATF 16949 Certificate Automotive Quality and Excellence

SCI invests in IATF 16949 certification to assure our manufacture of automotive components produces high quality, reliable and safe products, and to demonstrate we adhere to the distinct needs and quality standards of our automotive customers. We manufacture high quality products and consistently strive for improved productivity, efficiency, and dependable customer service as guided by our IATF Certifications.



E-mark Certificate

SCI is qualified for the E11 55-R01/07*11380*00 certificate by the vehicle certification agency in united kingdom.

• Look for this plate on the fifth wheel!



Type Approved



Type Approval Number

All fifth wheel testing and development is carried out in our own independently calibrated test facility at our factory. All SCI Fifth Wheel products have been tested and approved to the ECE R55-01 standard, of which approvals and certificates to this standard are issued by independent authorities after witnessing tests.

Testing requirements for mechanical couplings to ECE R55-01 include a 2M cycle fatigue test, a static steering wedge test and a static roll over test. Crack detection and deformation inspection is carried out at the end of each test to ensure conformity to the R55-01 standard is achieved.



Fatigue test machine



● FIFTH WHEEL COUPLING *SSK37 - 2"*

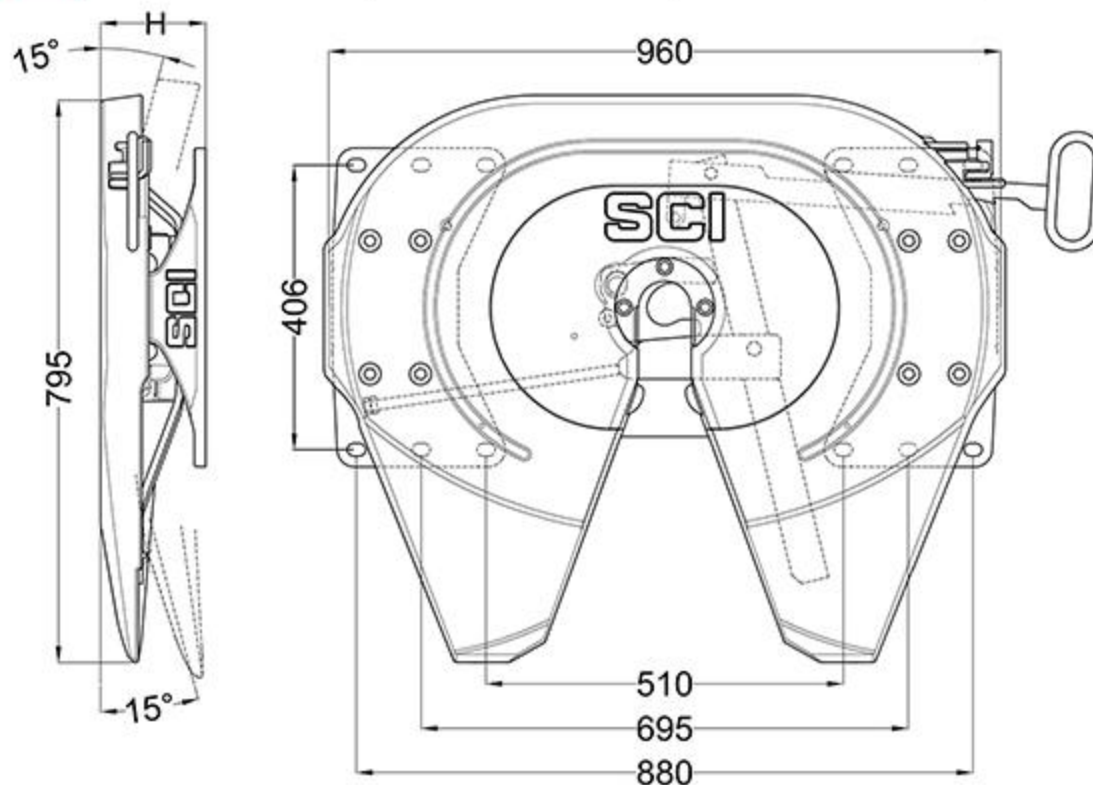


Features:

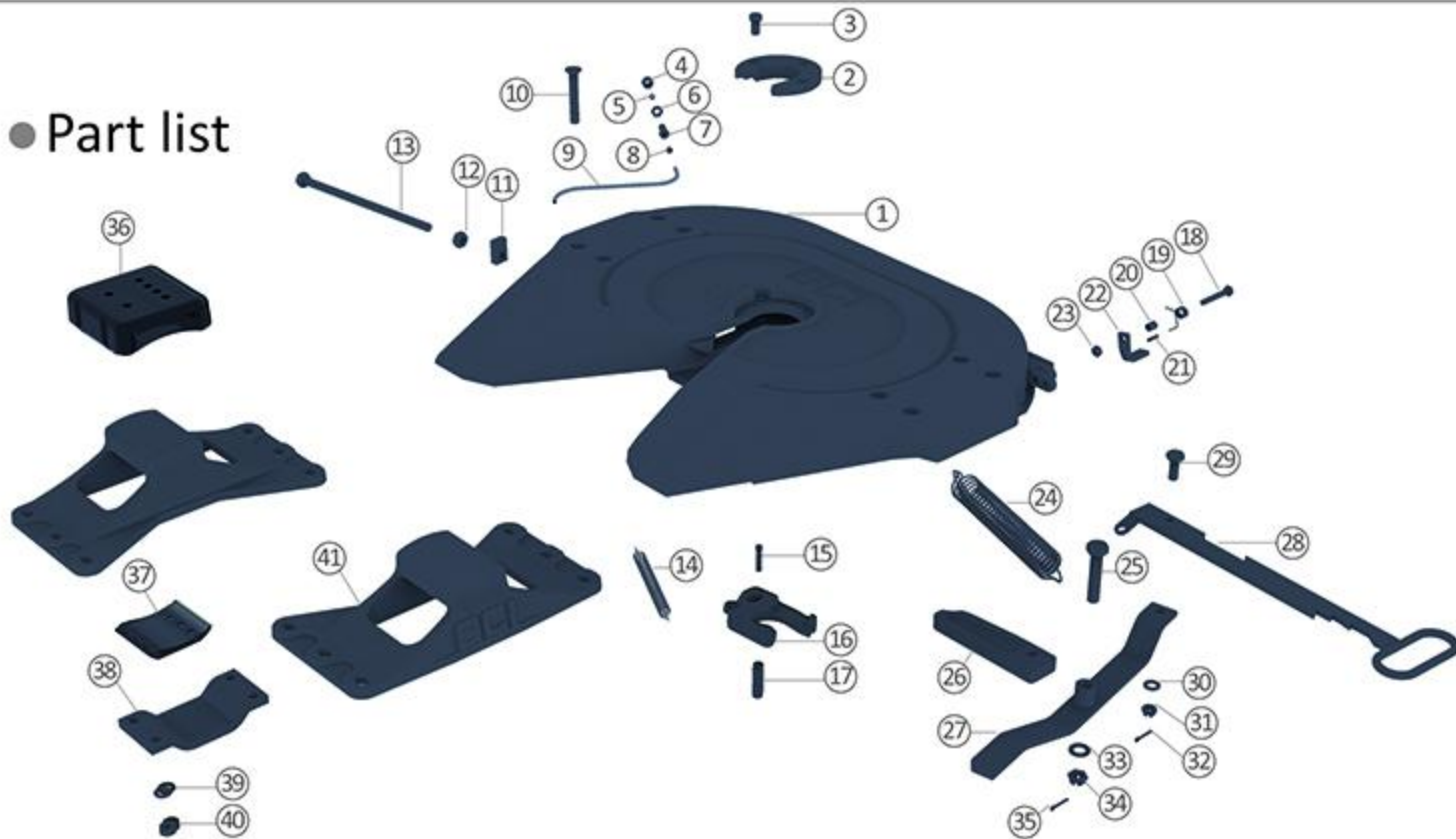
- Cast type 5th wheel
- Corrosion resistance
- Compatible with all brands
- Suitable for poor quality road surfaces
- The rubber cushions used are shock-absorbent and maintenance-free
- High level of operating reliability
- Easy servicing & simple operation

Technical Data

Part No.	Height (mm)	D Value (KN)	U Value (ton)	Weight (Kg)
610 453	150	150	20	148
610 454	172	150	20	151
610 455	185	150	20	155



● Part list



Item	Description	Part No.	Quantity /set	Item	Description	Part No.	Quantity /set
1	Main Plate	201450	1	23	Lock nut	801144	1
2	Wearing ring	630454	1	24	Double tension spring	620508	1
3	Socket head bolt	801132	3	25	Bolt	801137	1
4	Lubrication component	801125	1	26	Locking bolt	630453	1
5	Lubrication component	801126	1	27	Lever	620462	1
6	Lubrication component	801127	1	28	Handle	620463	1
7	Lubrication component	801128	1	29	Bolt	801133	1
8	Grease nipple	801106	1	30	Washer	801109	1
9	Lubrication Tube	700454	1	31	castle nut	801134	1
10	Socket countersunk bolt	801129	8	32	Locking bar	801135	1
11	Guide	700483	1	33	Washer	801139	1
12	Nut	801141	1	34	castle nut	801138	1
13	Adjusting screw	801140	1	35	Locking bar	801135	1
14	Tension spring	700475	1	36	Rubber cushion, upper	640505	2
15	Eye bolt	700478	1	37	Rubber cushion, lower	640506	2
16	Lock jaw	630452	1	38	Bridge	660451	2
17	Bolt	700482	1	39	Washer	801109	8
18	Bolt	801143	1	40	Lock nut	801130	8
19	Spring	700476	1	41	Pedestal H 150	201405	2
20	Spring bush	700480	1	41	Pedestal H 172	201455	2
21	Pin	700481	1	41	Pedestal H 185	201456	2
22	Latch	700479	1				

Repair and Retrofit kits





● FIFTH WHEEL COUPLING **SSK36 - 2"**

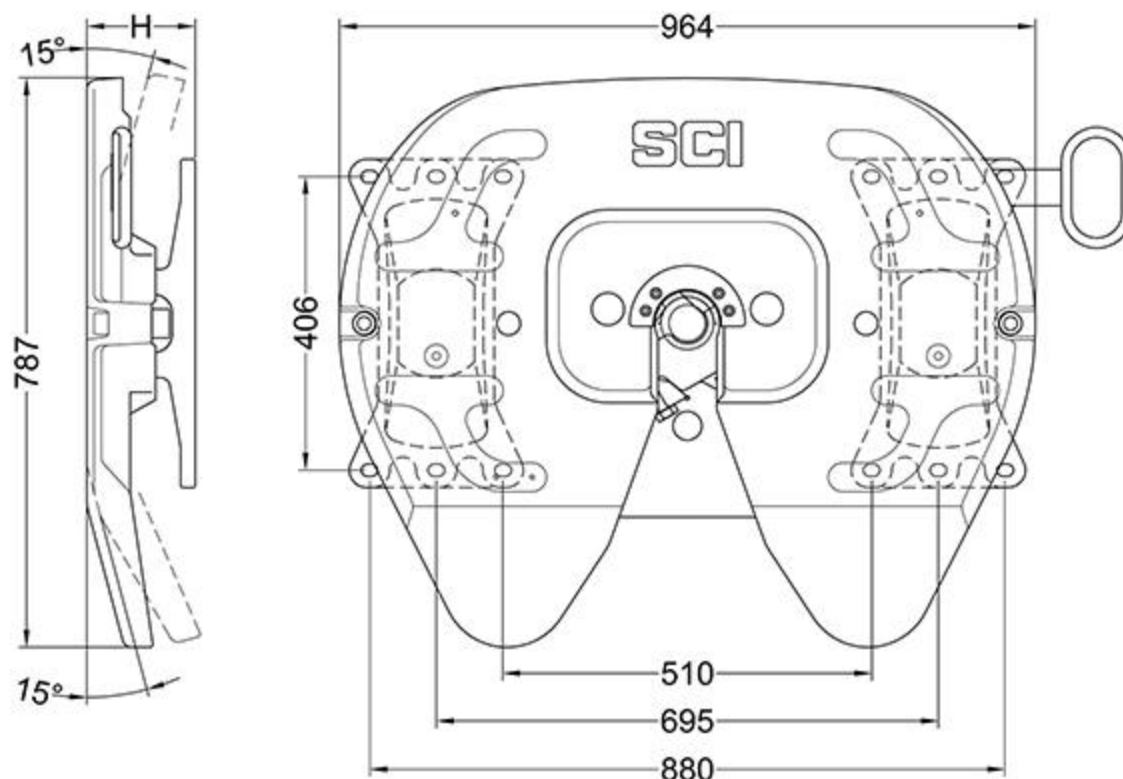


Features:

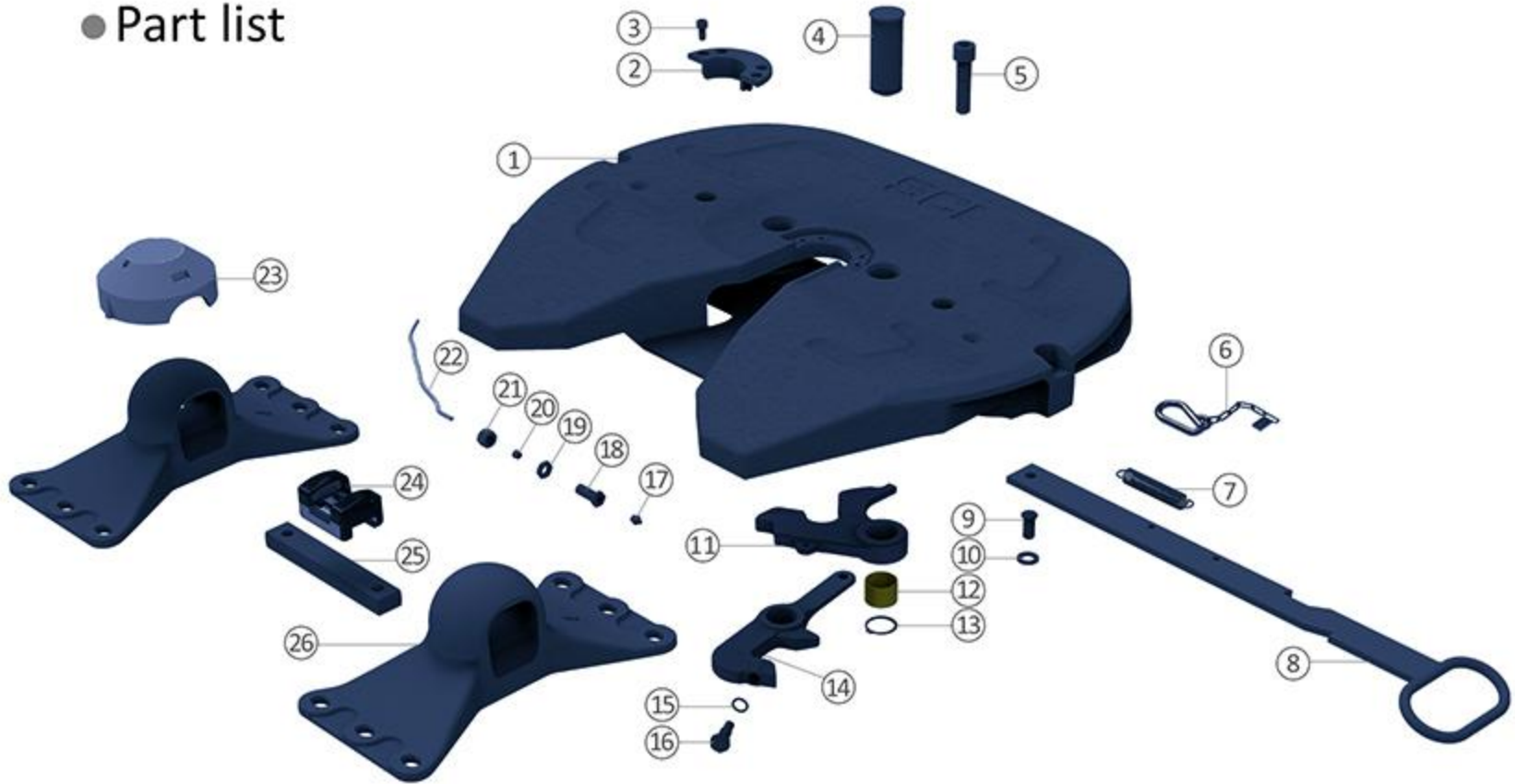
- Cast type 5th wheel
- Corrosion resistance
- Compatible with all brands
- Suitable for poor quality road surfaces
- The rubber cushions used are shock-absorbent and maintenance-free
- High level of operating reliability
- Easy servicing & simple operation

Technical Data

Part No.	Height (mm)	D Value (KN)	U Value (ton)	Weight (Kg)
610 451	150	150	20	158
610 450	185	150	20	155
610 452	205	150	20	159



● Part list



Item	Description	Part No.	Quantity /set	Item	Description	Part No.	Quantity /set
1	Main Plate	201451	1	15	Supporting washer	700467	4
2	Wear ring	630462	1	16	Adjusting screw	700470	1
3	Socket head bolt	801108	4	17	Grease nipple	801106	1
4	Pin	630463	2	18	Lubrication component	801115	1
5	Socket head bolt	801111	4	19	Lubrication component	801114	1
6	Carabiner hook & chain	700464	1	20	Lubrication component	801113	1
7	Tension spring	700472	3	21	Lubrication component	801112	1
8	Operating handle	620461	1	22	Lubrication Tube	700462	1
9	Stud	700465	1	23	Bearing	640454	2
10	Washer	801109	1	24	Rubber damper	640456	2
11	Coupler jaw	630474	1	25	Tensioning bar	630455	2
12	Bearing sleeve	700463	2	26	Pedestal H150	201454	2
13	Cir clip	801110	2	26	Pedestal H185	201452	2
14	Locking hook	630471	1	26	Pedestal H205	201453	2

Repair and Retrofit kits





● **FIFTH WHEEL
COUPLING
SSK38 - 3.5"**

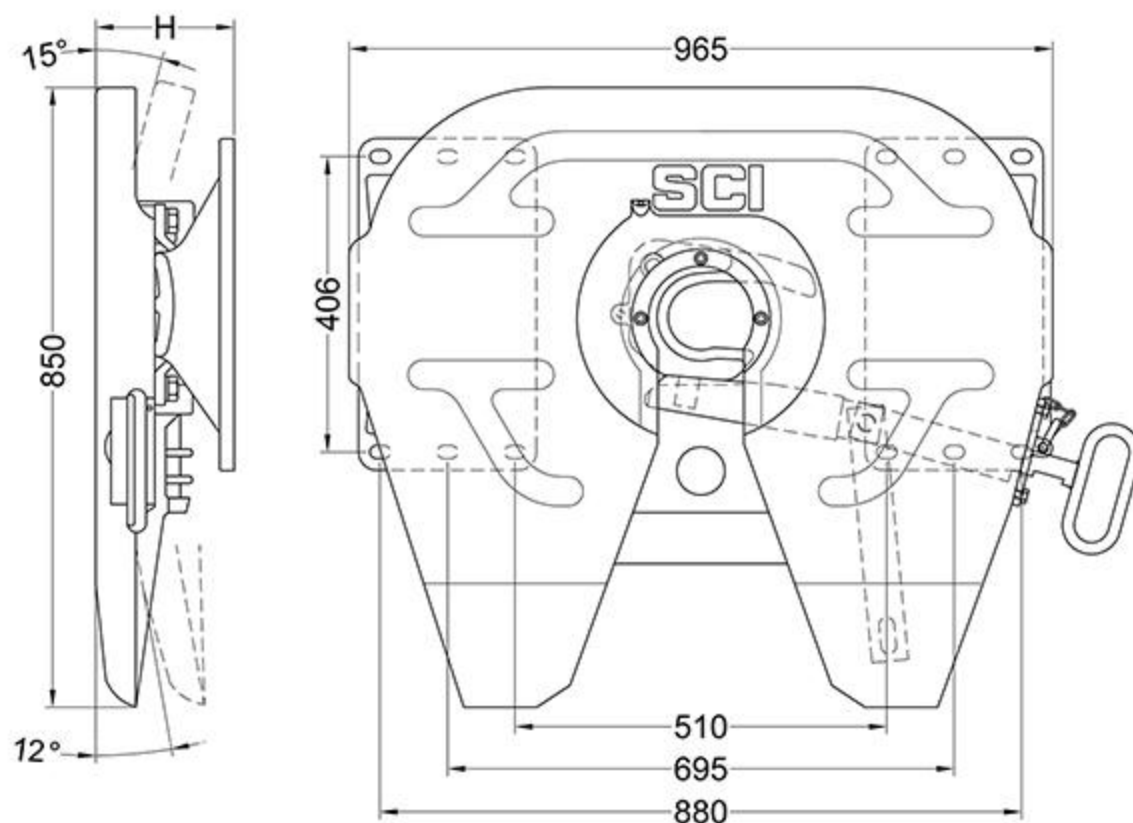


Features:

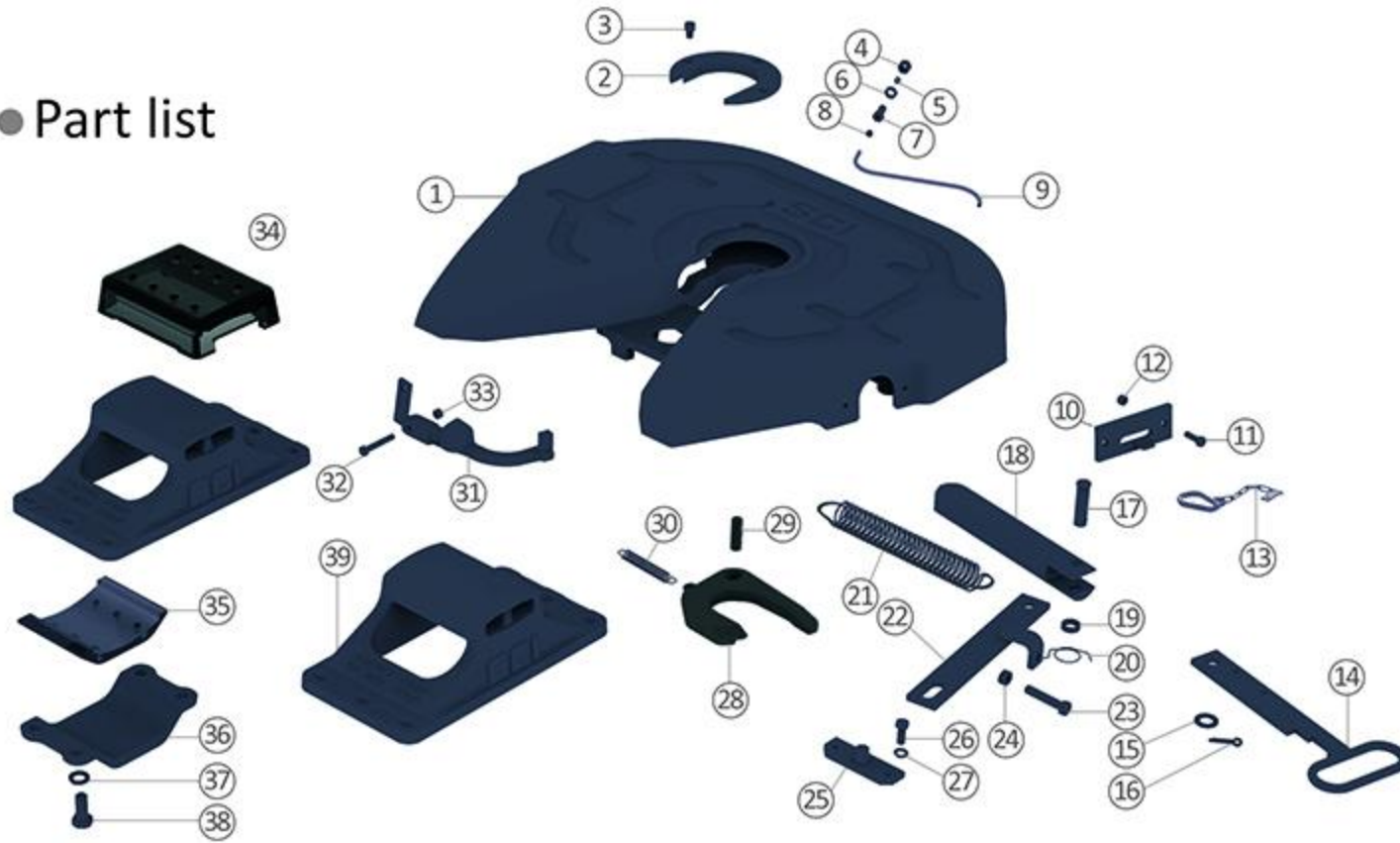
- Cast type 5th wheel
- Corrosion resistance
- Compatible with all brands
- Suitable for poor quality road surfaces
- The rubber cushions used are shock-absorbent and maintenance-free
- High level of operating reliability
- Easy servicing & simple operation

Technical Data

Part No.	Height (mm)	D Value (KN)	U Value (ton)	Weight (Kg)
610 500	190	260	36	196



● Part list



Item	Description	Part No.	Quantity /set	Item	Description	Part No.	Quantity /set
1	Main Plate	201501	1	21	Double tension spring	620509	1
2	Wear ring	630505	1	22	Lever	620504	1
3	Socket head bolt	801157	3	23	Adjusting screw	801169	1
4	Lubrication component	801125	1	24	Nut	801170	1
5	Lubrication component	801126	1	25	Support	620503	1
6	Lubrication component	801127	1	26	Bolt	801171	2
7	Lubrication component	801128	1	27	Washer	801104	2
8	Grease nipple	801106	1	28	Lock jaw	630503	2
9	Lubrication Tube	700518	1	29	Pin	700517	2
10	Guide plate	620507	1	30	Lock jaw Spring	700512	2
11	Bolt	801165	2	31	Locking bar	620506	1
12	Nut	801166	2	32	Bolt	801174	1
13	Carabiner hook & chain	700464	1	33	Nut	801166	1
14	Operating handle	620505	1	34	Rubber cushion, upper	640507	2
15	Washer	801139	1	35	Rubber cushion, lower	640508	2
16	Locking bar	801167	1	36	Mounting bracket	630509	2
17	Pin	700520	1	37	Washer	801156	8
18	Locking bar	630506	1	38	Bolt	801155	8
19	Disc	700516	1	39	Pedestal H190	201502	2
20	Spring loop	700513	1				

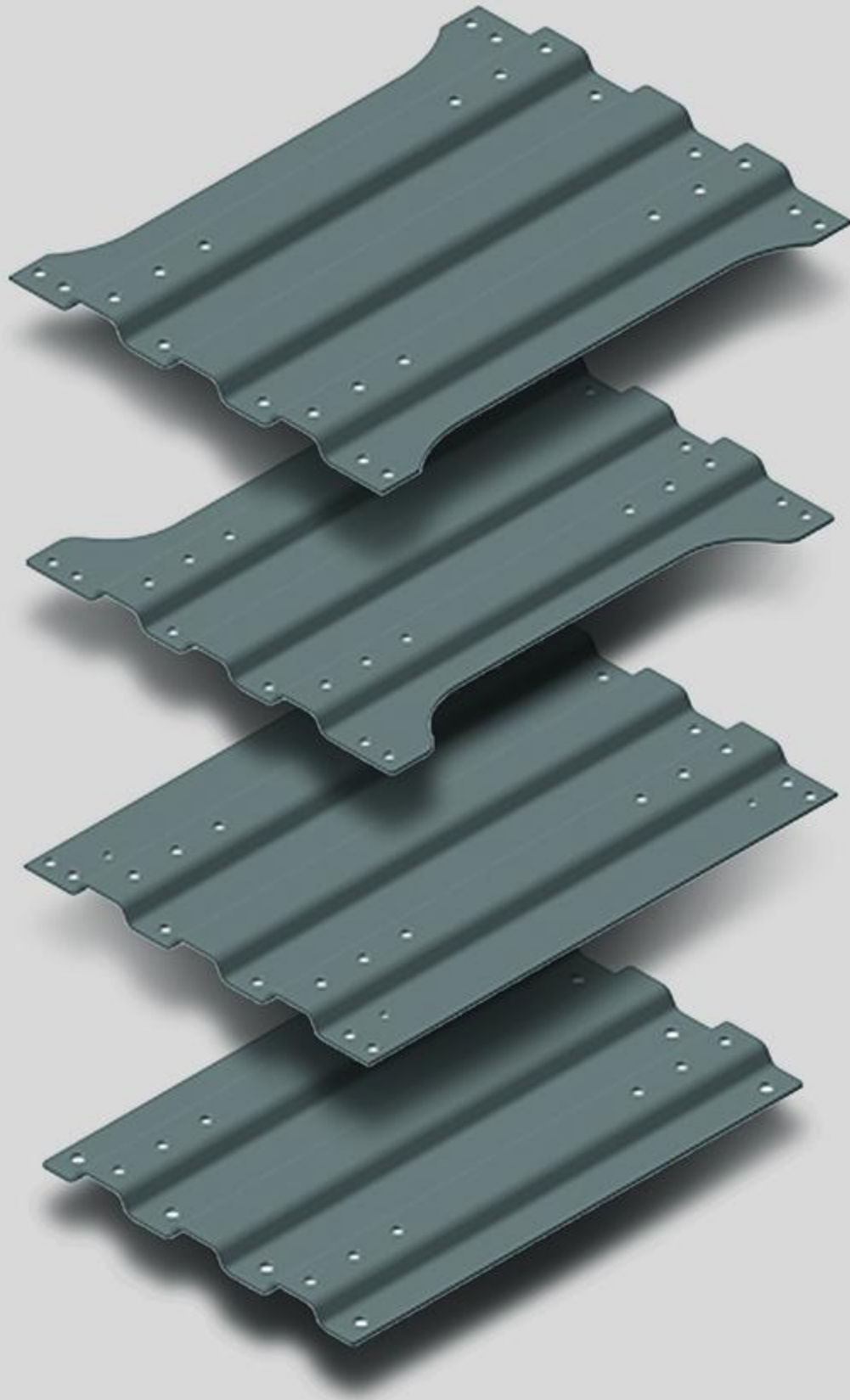
Repair and Retrofit kits





Mounting plate

Multiple variants of mounting plates are manufactured to match different fifth wheel dimensions and assembly conditions on trailer.



Pedestal

SCI Company also manufactures multiple pedestal designs.

